

Keysight Y1215A Rack Mount Kit Installation

This installation note contains procedures for installing the Y1215A Rack Mount Kit for the Keysight M9018A 18-slot PXIe Chassis in a standard EIA rack.

Parts List

The parts included with each rack mount adapter option and the support rail are shown in the following table:

| Quantity | Description | Part Number |
|----------|--|-------------|
| 1 kit | Rack Flange and Handles Kit includes quantity 8, Rack Flange Screws, M4x10 Flat Head | M9018-00020 |
| 1 kit | Support Rails | M9018-00001 |
| 8 | Channel Nuts (4 for support rail-to-rack, 4 for rack flanges) | 0590-0804 |
| 4 | Support Rail-to-Rack Screws - 10-32 x 0.5 | 2680-0278 |
| 4 | Dress Screws for Rack Flanges | E9900-06001 |

General Guidelines

In rack mounting the chassis, follow these guidelines:

- 1 Always begin installing the chassis and heavy instruments at the bottom of the rack and work up. This maintains a lower center of gravity and reduces the possibility of the rack tipping.
- 2 Anti-tipping feet, if available with the rack, should always be extended.
- 3 The heaviest instrument of chassis should always be mounted at the bottom of the rack.
- 4 For maximum cooling and optimum rack thermal efficiency, place the instrument or chassis with the greatest power consumption towards the top of the rack. This promotes efficient cooling since heat rises when placed nearer to the top of the rack, high power instruments will not unnecessarily heat other instruments. However, in doing this, do not violate the guideline that the heaviest instruments should be placed at the bottom of the rack.
- 5 If instruments or modules in the chassis are consuming maximum power, 1U of rack space is required for ventilation below the M9018A chassis.

Procedure

- 1 Refer to Figure 1 below. Remove the side handles and handle covers from both sides of the M9018A PXIe chassis.

CAUTION

Do not stand the chassis on its side; the side handles may cause the chassis to tip over.

- 2 Remove the four chassis feet by pulling out the small rubber insert on each foot and then removing the Phillips screw that attaches the foot to the chassis. See Figure 1.

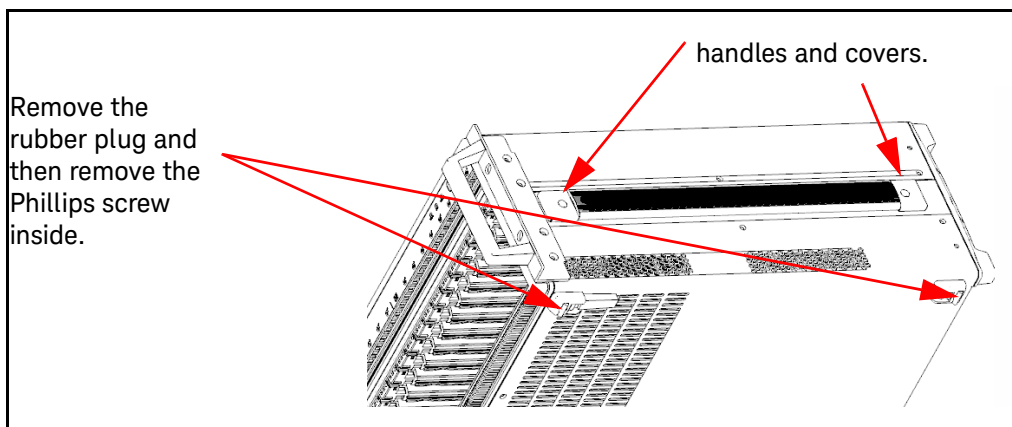


Figure 1 Removing the Chassis Feet

- 3 Using the rack mount flanges as templates, position the flanges on the rack's vertical columns where the chassis is to be mounted. Align the adapter holes over the "center" holes of the EIA rack units. Slide channel nuts over the rack holes to be used by the rack mount flanges. See Figure 2.

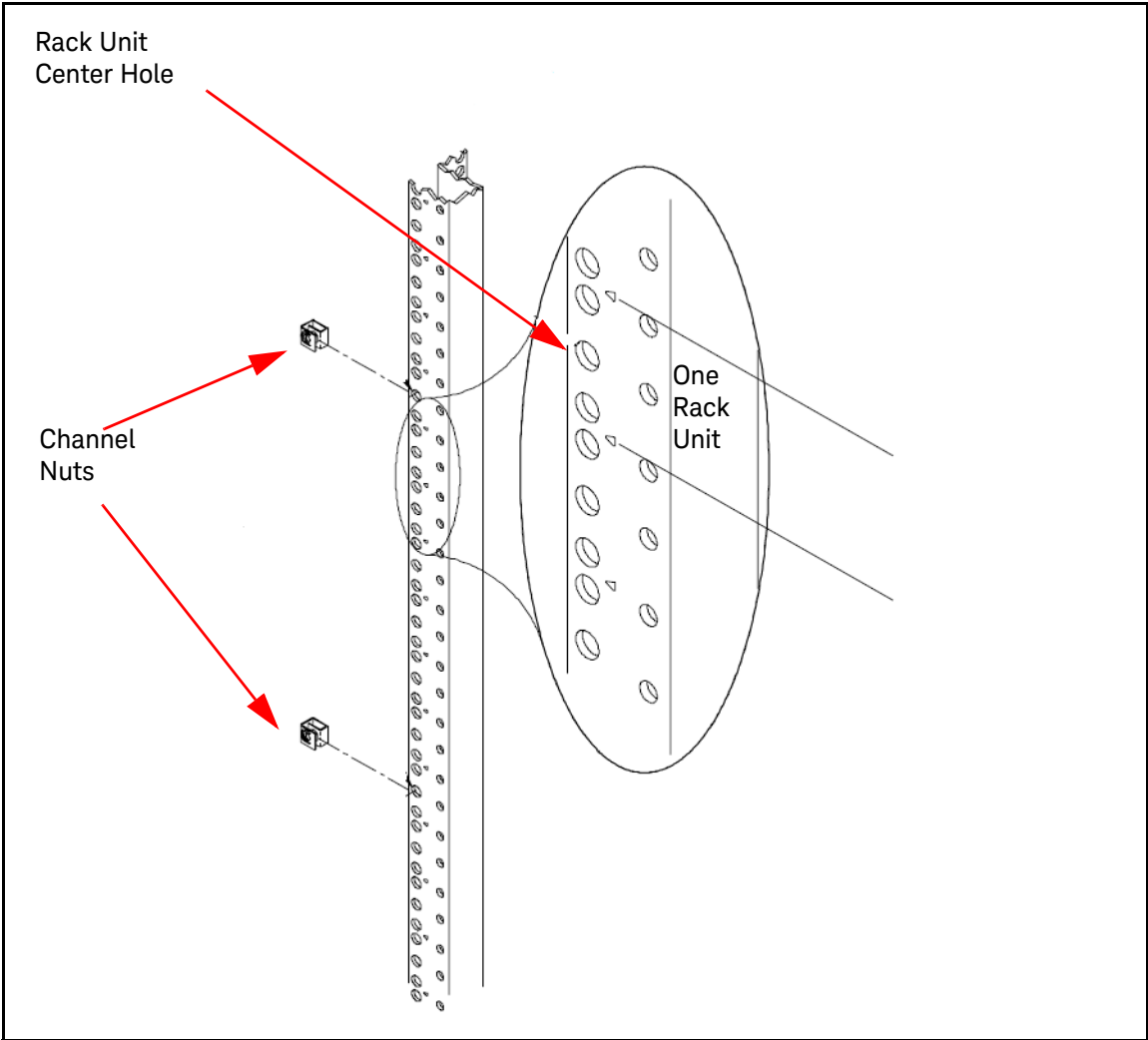


Figure 2 Center Holes of EIA Rack, Attaching Channel Nuts

4 Optional Step. Attach the handles to the rack mount flanges using the 10-32 x 0.375 flat head screws. Refer to Figure 3.

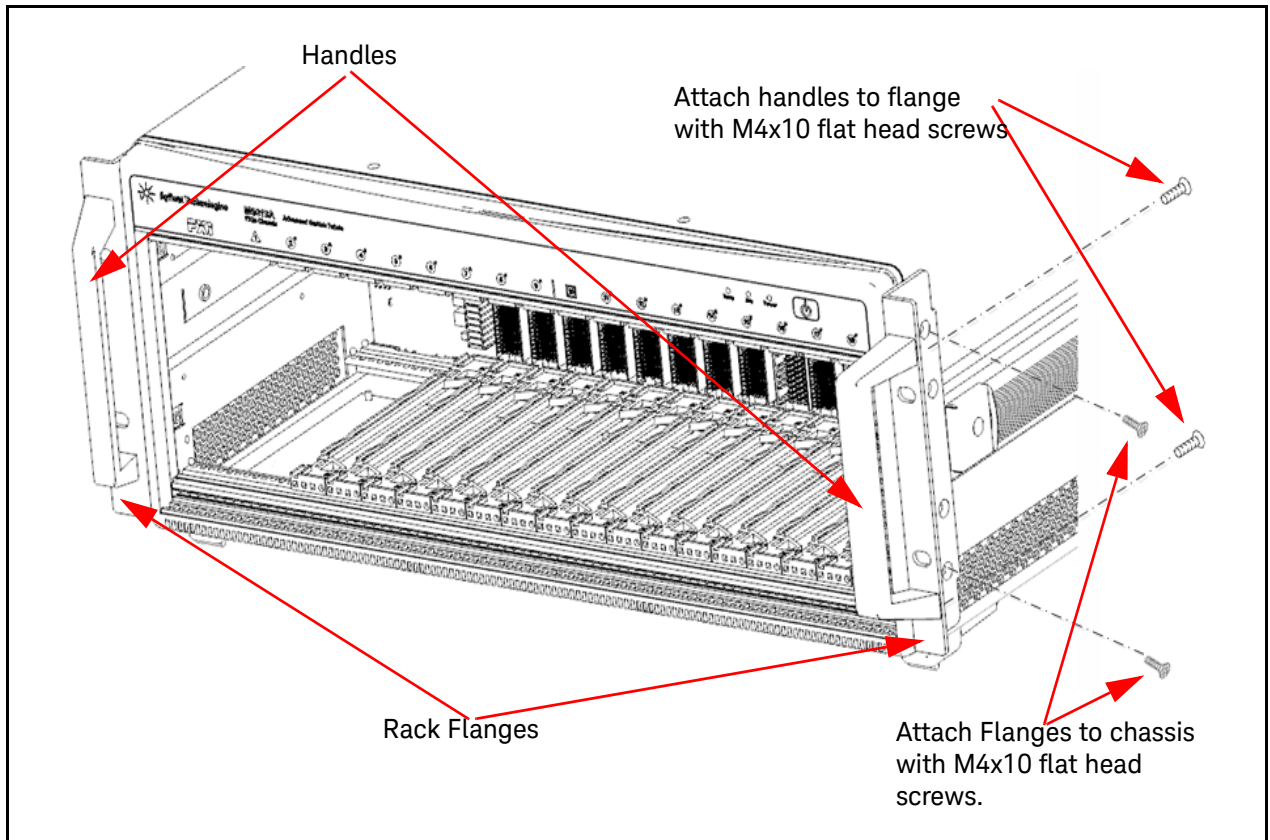


Figure 3 Attaching Handles and Rack Mount Flanges to M9018A Chassis

- 5 Attach the rack mount front handle flanges to the chassis. Refer to Figure 3.
- 6 Position the rails on the rack's vertical columns where the chassis is to be mounted. Align the adapter holes over the "center" holes of the EIA rack units.

NOTE

INSTALL THE SUPPORT RAILS UPSIDE DOWN IN THE RACK! To provide adequate air flow to the ventilation holes on the sides of the chassis, you must install the rack slides upside down as shown in Figure 4.

- 7 Slide channel nuts over the rack holes to be used by the support rails.
- 8 Attach the support rails **UPSIDE DOWN** to the rack's inside vertical columns. Use four channel nuts and the four 10-32 x 0.5 support rail-to-rack pan head screws as shown in Figure 4.
- 9 Set the chassis onto the support rails.

WARNING

To prevent injury during rack mounting, the chassis should be empty and two people should lift the chassis into the rack.

- Slide the M9018A chassis into the rack until the rack mount front handle flanges are against the rack's vertical columns. Secure the chassis to the rack using the adapter dress screws provided with the rack flange kit.

NOTE

If the rack will be moved excessively or over long distances, you should use a strap to secure the chassis to the rack slides.

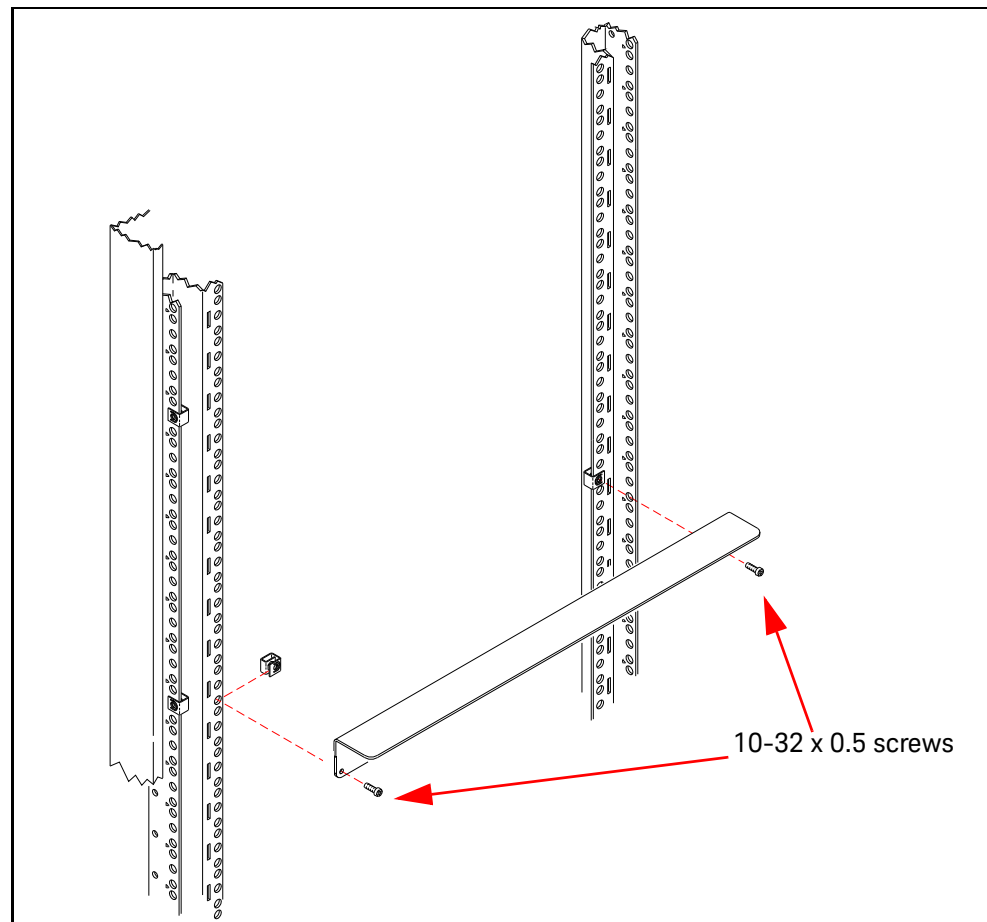


Figure 4 Attaching the Support Rails to the Rack.



This information is subject to change without notice.
© Keysight Technologies 2014
Edition 2 September 2014



Y1215-90001

www.keysight.com